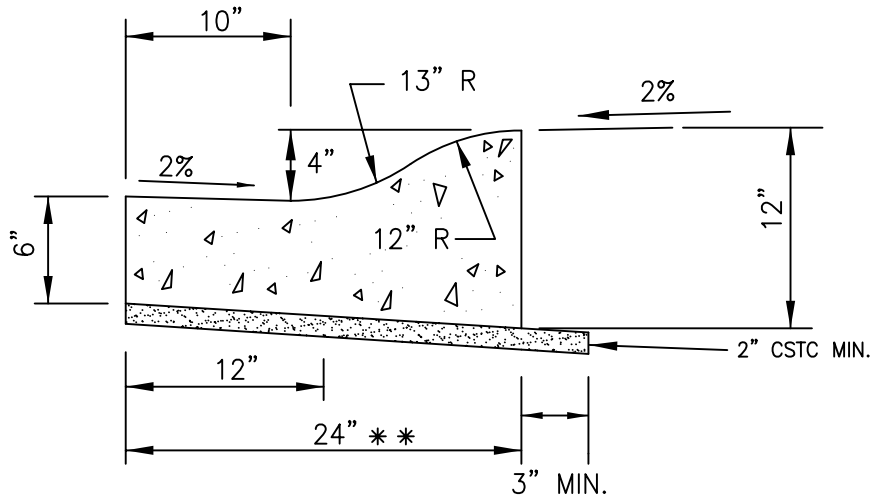


### TYPE A CURB AND GUTTER

\* SEE CHAPTER 3 , ENGINEERING DEVELOPMENT GUIDE FOR USE RESTRICTIONS.

NOTE:

MEDIAN CURBS SHALL MATCH ROADWAY CROSS SLOPES





### ROLLED CURB AND GUTTER

\*\* SEE CHAPTER 3 , ENGINEERING DEVELOPMENT GUIDE FOR USE RESTRICTIONS.

NOTE:

1. MATERIAL – WSDOT CONCRETE CLASS 4000psi.

	Public Works Planning and Development Services		<b>Curbs</b>	<b>312</b>
				NOT TO SCALE
				Revision Date December 2006