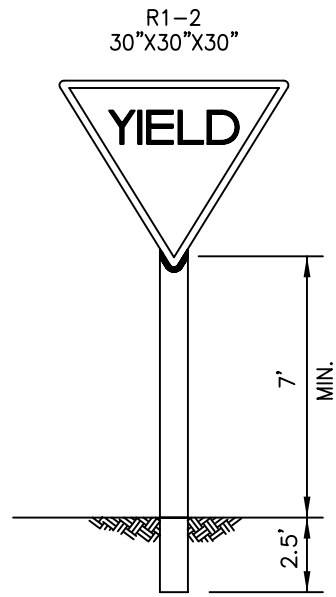
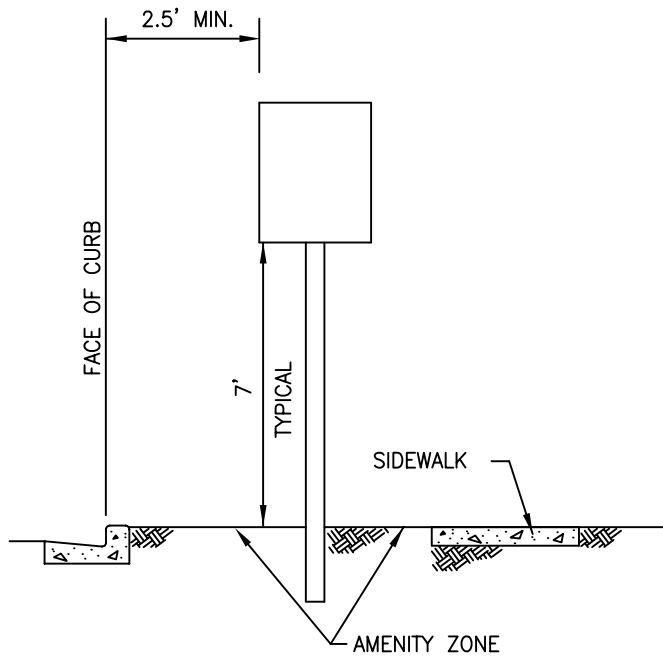


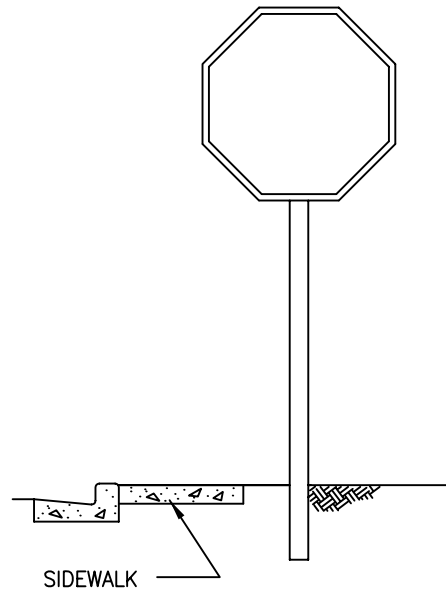
STOP SIGN



YIELD SIGN



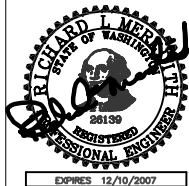
CURB AND SIDEWALK WITH AMENITY ZONE



CURB AND SIDEWALK WITHOUT AMENITY ZONE  
(SHALL BE USED ONLY TO MATCH EXISTING CONDITIONS OR WITH THE DIRECTOR'S APPROVAL)



Public Works  
Planning and  
Development  
Services



**Street Signs - Standards & Locations**  
(FOR USE ON NON-PUBLIC R-O-W ONLY)

**506**

NOT TO SCALE

Revision Date  
December 2006