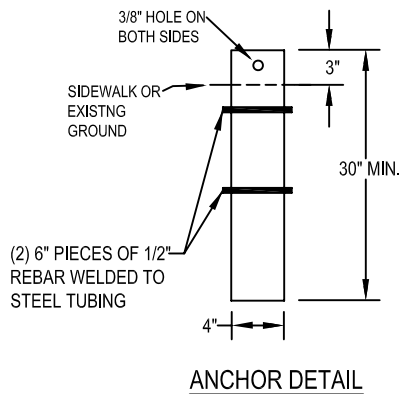


SQUARE METAL POST

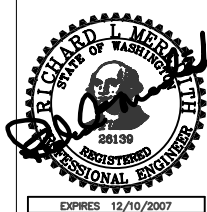


NOTES:

1. POST ANCHOR RIVETS SHALL BE 1 1/2" ABOVE GROUND LEVEL.
2. FOR POST RELOCATIONS, OLD CONCRETE SHALL BE REMOVED FROM POST.
3. POST SHALL BE ROLLED CARBON SHEET STEEL, ASTM A570 GRADE 50 AND BE HOT DIPPED GALVANIZED AASHTO M-120 YIELD STRENGTH 60,000 PSI MIN. POST SHALL HAVE 7/16" DIE-PUNCHED KNOCKOUTS ON 1" CENTERS FULL LENGTH ON ALL FOUR SIDES.
4. ANCHOR SHALL HAVE 4 7/16" HOLES ONE EACH SIDE 2" FROM TOP END. FINISH SHALL BE ZINC HOT DIPPED GALVANIZED MATERIAL TO MEET ASTM A500 GRADE B.



Public Works
Planning
and
Development
Services



Traffic Sign & 2" Square Metal Post Installation

511

NOT TO SCALE

Revision Date
December 2006