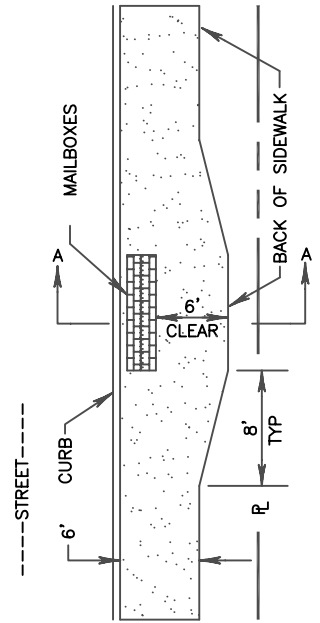


NOTE:
OBTAIN LOCATION APPROVAL FROM LOCAL POSTMASTER.

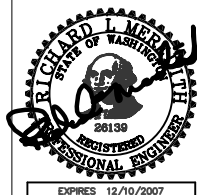


NOTE:

SHALL BE USED ONLY TO MATCH EXISTING CONDITIONS OR WITH DIRECTOR APPROVAL



Public Works
Planning
and
Development
Services



Mailbox Stand without Amenity Zone

515

NOT TO SCALE

Revision Date
December 2006