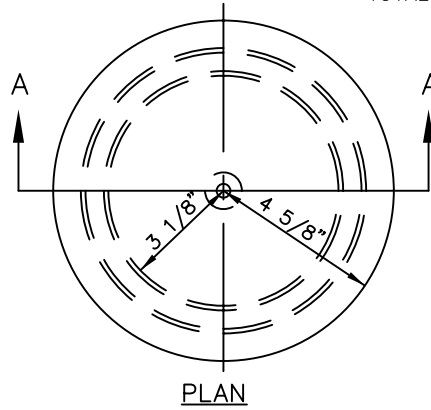
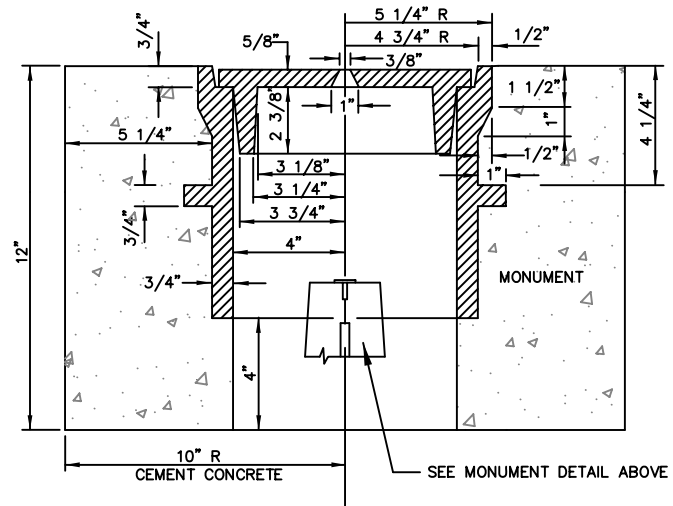
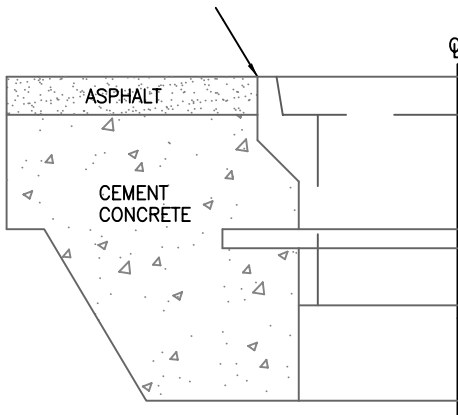


APPROXIMATE WEIGHTS STANDARD

CASE	60 LBS
COVER	19 LBS
TOTAL	79 LBS



MONUMENT SHALL BE FLUSH WITH ASPHALT AFTER OVERLAY



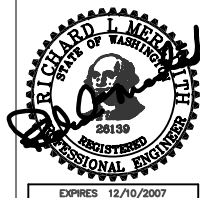
SECTION A-A

NOTE:

THE CASTINGS SHALL BE GRAY IRON CASTING, ASTM DESIGNATION A-48, CLASS 40. THE COVER AND SEAT SHALL BE MACHINED SO AS TO HAVE PERFECT CONTACT AROUND THE ENTIRE CIRCUMFERENCE AND FULL WIDTH OF BEARING SURFACE. WHEN THE MONUMENT CASE AND COVER ARE PLACED IN CEMENT CONCRETE PAVEMENT, THE CONCRETE CASE WILL NOT BE NECESSARY.



Public Works
Planning and
Development
Services



Monuments

519

NOT TO SCALE

Revision Date
December 2006