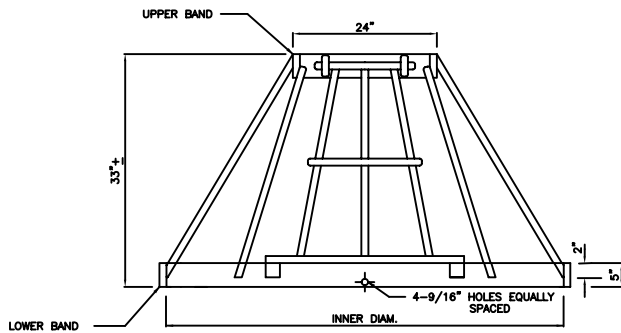
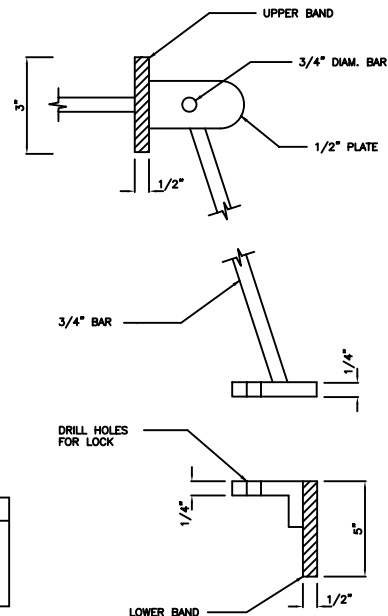


PLAN



ELEVATION

CB	INNER DIAM.
48"	58"
54"	65"
60"	72"
72"	86"
96"	114"



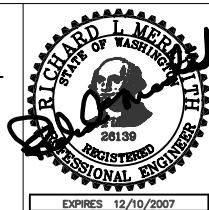
ENTRY GATE DETAIL

NOTES:

1. ALL STEEL IN PLATES, BARS AND BANDS SHALL CONFORM TO THE REQUIREMENTS OF ASTM A38.
2. DEBRIS CAGE SHALL BE HOT-DIP GALVANIZED IN ACCORDANCE WITH ASTM A123 (AASHTO M111).



Public Works  
Planning  
and  
Development  
Services



# Trash Rack (Debris Cage) - Conical

**703**

NOT TO SCALE

Revision Date  
December 2006