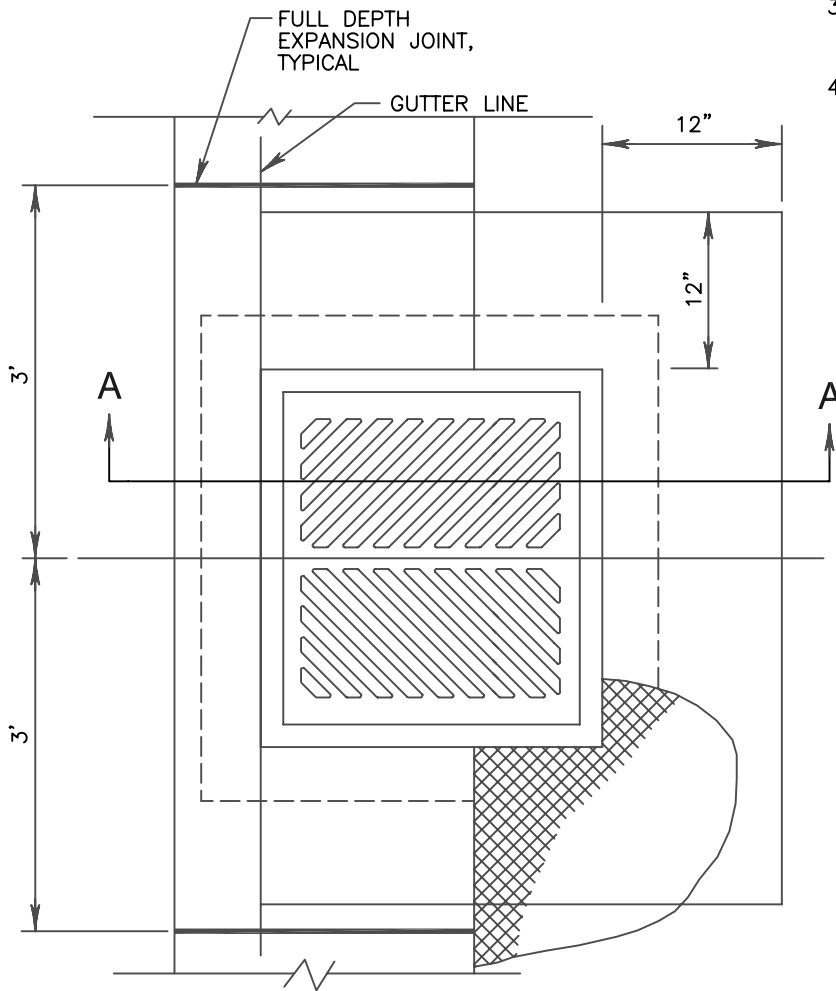


**SECTION A-A**

**NOTES:**

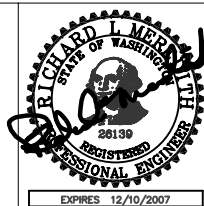
1. WHEN LAYING CURB, LEAVE 6' OUT FOR PLACING C.B., FRAME AND GRATE.
2. PLACE CURB AROUND C.B. USING CEMENT CONCRETE 3-DAY MIX.
3. AN APPROVED MATERIAL WHICH WILL PREVENT BONDING OF THE CURB TO FRAME, GRATE OR C.B. SHALL BE USED.
4. GROUT ALL JOINTS INSIDE AND OUTSIDE.



**PLAN VIEW**



Public Works  
Planning  
and  
Development  
Services



# Catch Basin Installation

**707**

NOT TO SCALE

Revision Date  
December 2006