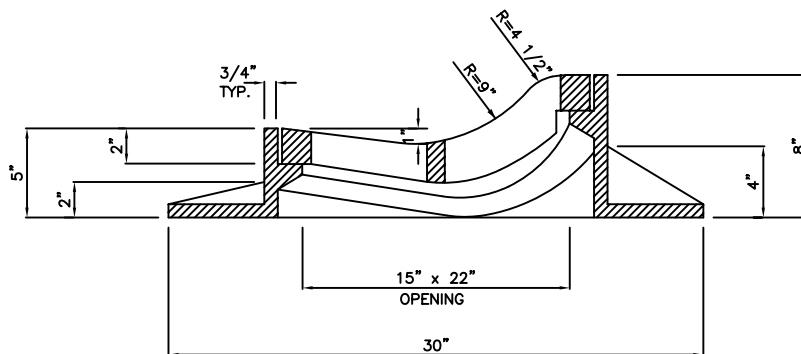


PLAN



SECTION A-A

NOTES:

1. MATERIAL IS CAST IRON PER ASTM A48 CLASS 30.
2. THE WORDS "PROPERTY OF CITY OF SHORELINE" SHALL BE OMITTED IF ON A PRIVATE SYSTEM.
3. NOT TO BE USED ON THICKENED EDGE ROADWAYS.

	<p>Public Works Planning and Development Services</p>		<h1>Rolled Curb Frame and Grate</h1>	<h1>734</h1>
				<p>NOT TO SCALE</p>
				<p>Revision Date December 2006</p>