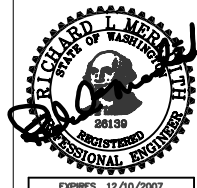




Public Works
Planning
and
Development
Services

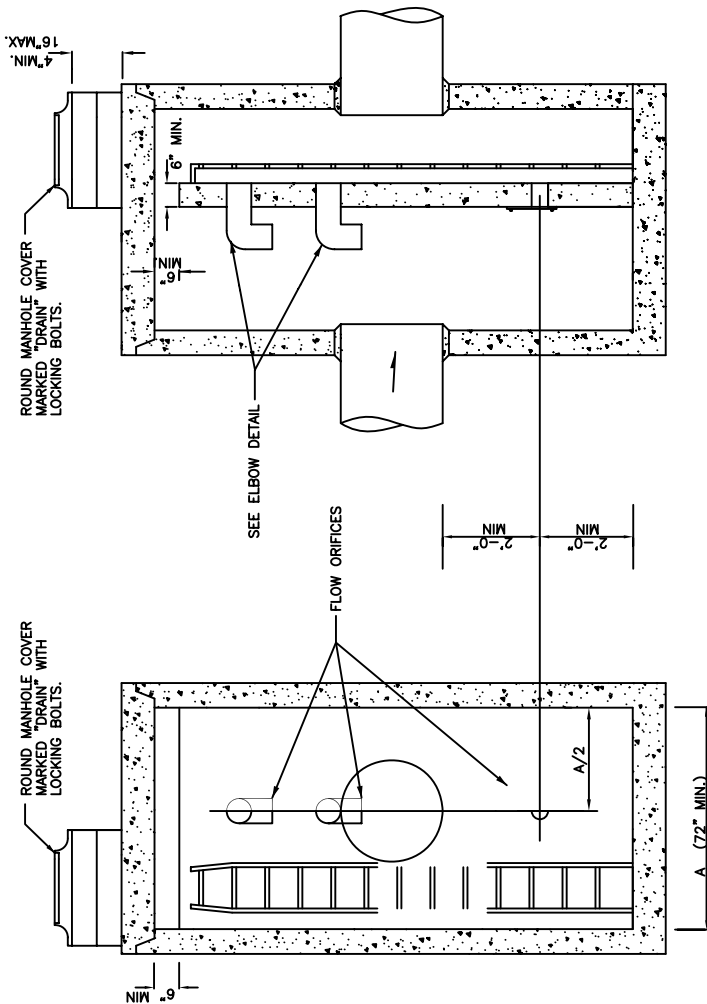


Flow Restrictor (Baffle)

763

NOT TO SCALE

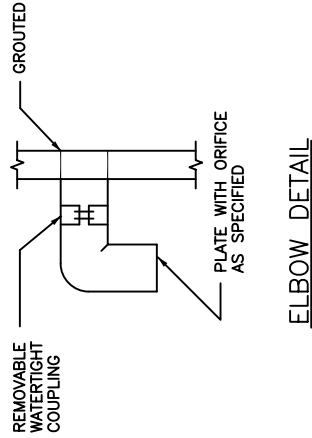
Revision Date
December 2006



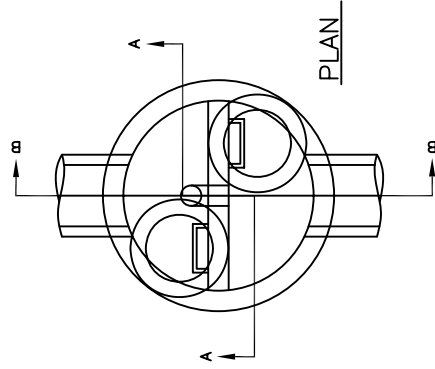
SECTION A-A

ELEVATION

SECTION B-B



ELBOW DETAIL



PLAN

NOTES:

1. PIPE SIZE, SLOPES, AND ALL ELEVATIONS: PER PLANS.
2. OUTLET CAPACITY: NOT LESS THAN COMBINED INLETS.
3. CATCH BASIN: TYPE 2 TO BE CONSTRUCTED IN ACCORDANCE WITH STND DWG 708 & AASHTO M199 UNLESS OTHERWISE SPECIFIED.
4. COVERS: ROUND, SOLID MARKED "DRAIN" WITH LOCKING BOLTS. SEE STND DWGS 720 & 721.
5. ORIFICES: SIZED & LOCATED AS REQUIRED, WITH LOWEST ORIFICE MIN 2" FROM BASE.
6. BAFFLE WALL SHALL HAVE #4 BAR AT 12" SPACING EACH WAY.
7. PRECAST BAFFLE WALL SHALL BE KEYED & GROUTED IN PLACE.
8. BOTTOM ORIFICE PLATE TO BE 1/4" MIN GALVANIZED STEEL & ATTACHED WITH 1/2" STAINLESS STEEL BOLTS. OMIT ORIFICE PLATE ID ONLY FOR OIL SEPARATION.
9. UPPER FLOW ORIFICE SHALL BE ALUMINIZED STEEL OR GALVANIZED STEEL. SEE STND DWG 761, GALVANIZED STEEL SHALL HAVE TREATMENT 1.