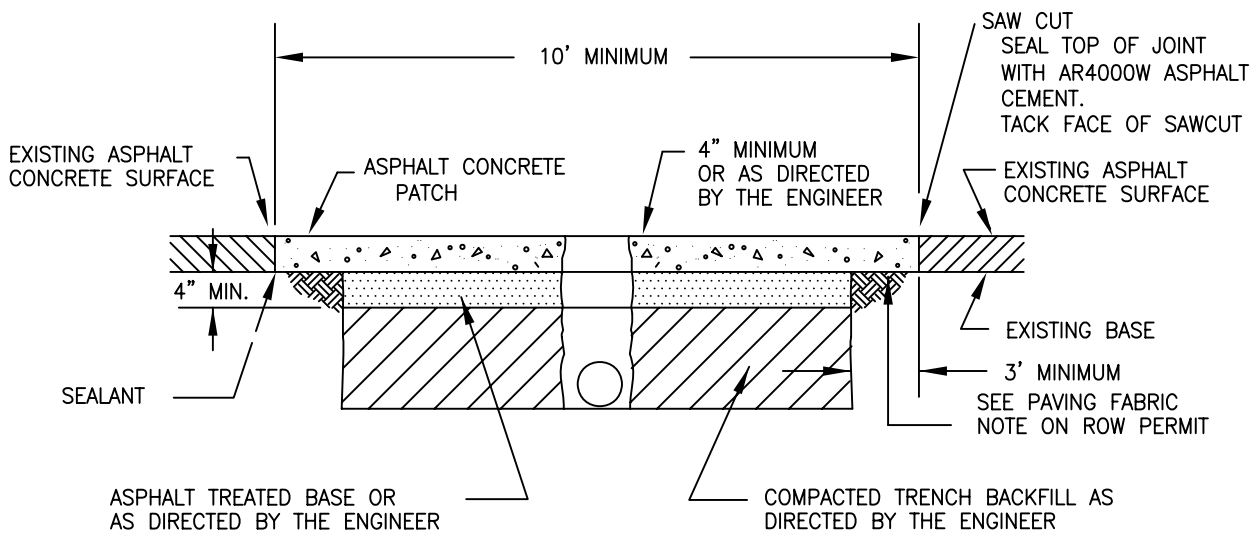


TYPICAL PATCH FOR FLEXIBLE PAVEMENT
WHEN PARALLEL TO ROADWAY CENTERLINE



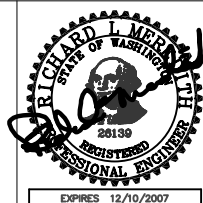
TYPICAL PATCH FOR FLEXIBLE PAVEMENT
WHEN PERPENDICULAR TO ROADWAY CENTERLINE

NOTES:

1. PORTLAND CEMENT CONCRETE SHALL BE CLASS 4000.
2. ASPHALT CONCRETE MIX SHALL BE CLASS "B."
3. ALL TRENCH BACKFILL SHALL BE CRUSHED SURFACING COURSE MATERIAL.



Public Works
Planning
and
Development
Services



Flexible Pavement Patching

802

NOT TO SCALE

Revision Date
December 2006